

1-262 Cams with or without Ramp

Special cams for replacement of Product System 1-102 cams

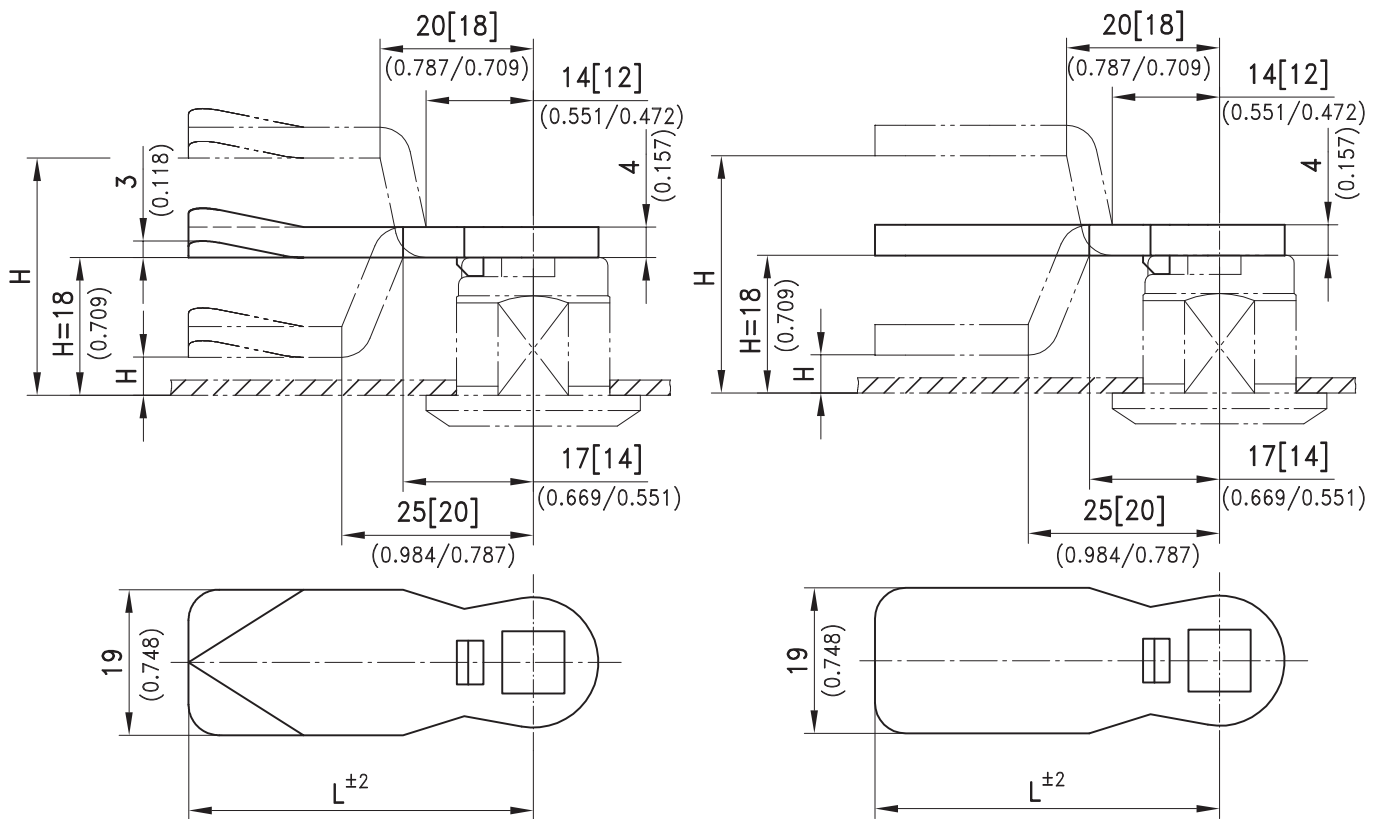


Material:

- Cams: Steel, Zinc Plated



The dimensions in [] brackets apply to cams with L-dimensions < 45mm.



	L and H in mm	Part No.
a) Cam with ramp and L- and H-dimensions variable	Example for cam with ramp, with L=40 and H=20: 200-4440.00-00020	200-44LL.00-000HH
b) Cam without ramp and L- and H-dimensions variable	Example for cam without ramp, with L=40 and H=20: 200-5440.00-00020	200-54LL.00-000HH

Minimum order quantity, price and delivery time on request.